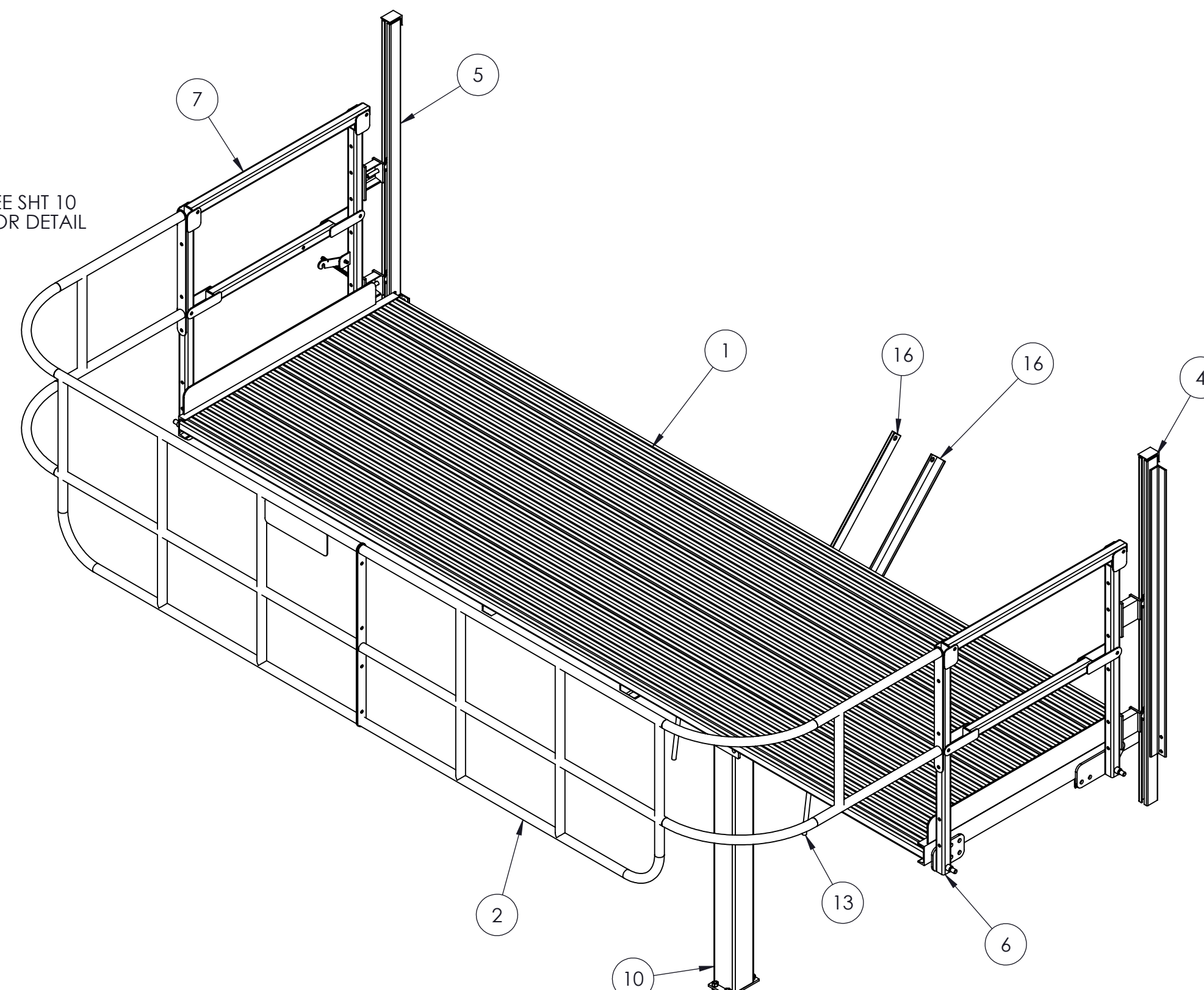
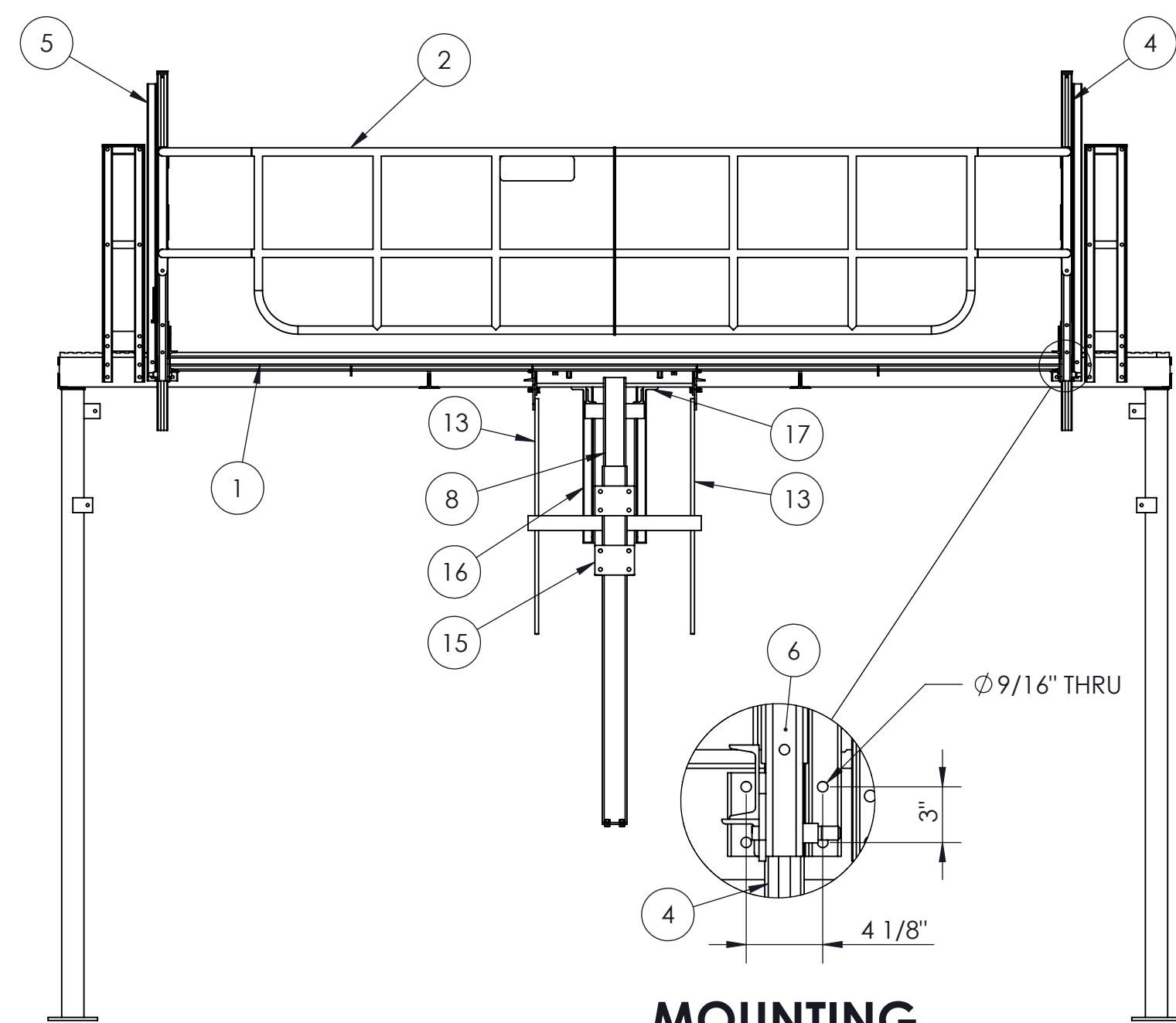


PARTIAL BOTTOM ISO VIEW



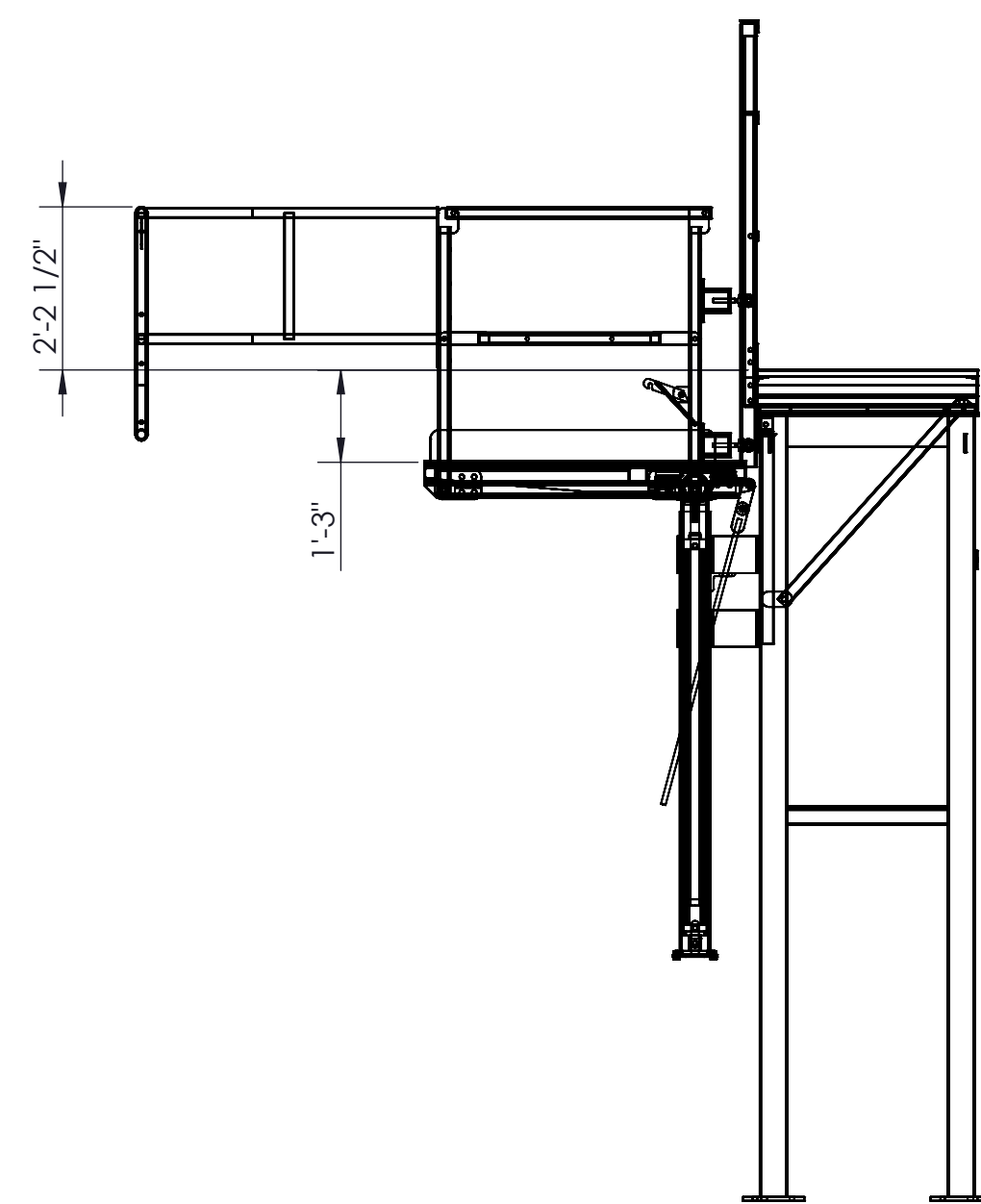
ISO VIEW

ITEM NO.	PART NUMBER	DESCRIPTION	QTY.
1	600315	RAMP ASSEMBLY	1
2	600316	RAMP SAFETY CAGE	1
3	600303	BOX SUSPENSION	1
4	600304	GUIDE TRACK - RIGHT	1
5	600305	GUIDE TRACK - LEFT	1
6	600306	SAFETY RAIL - RIGHT	1
7	600307	SAFETY RAIL - LEFT	1
8	600308	VERTICAL RAMP LIFT	1
9	600309	RAMP LEVEL SUPPORT	2
10	600310	SLIP TUBE WELDMENT	1
11	600311	TEE BUSHING - LEFT	1
12	600312	TEE BUSHING - RIGHT	1
13	600313	FOLDING ROD	2
14	600314	CYLINDER	1
15	101027	LOCK PLATE	2
16	101028	ANGLE BRACE SUPPORT	2
17	101029	SUSPENSION HANGER	2

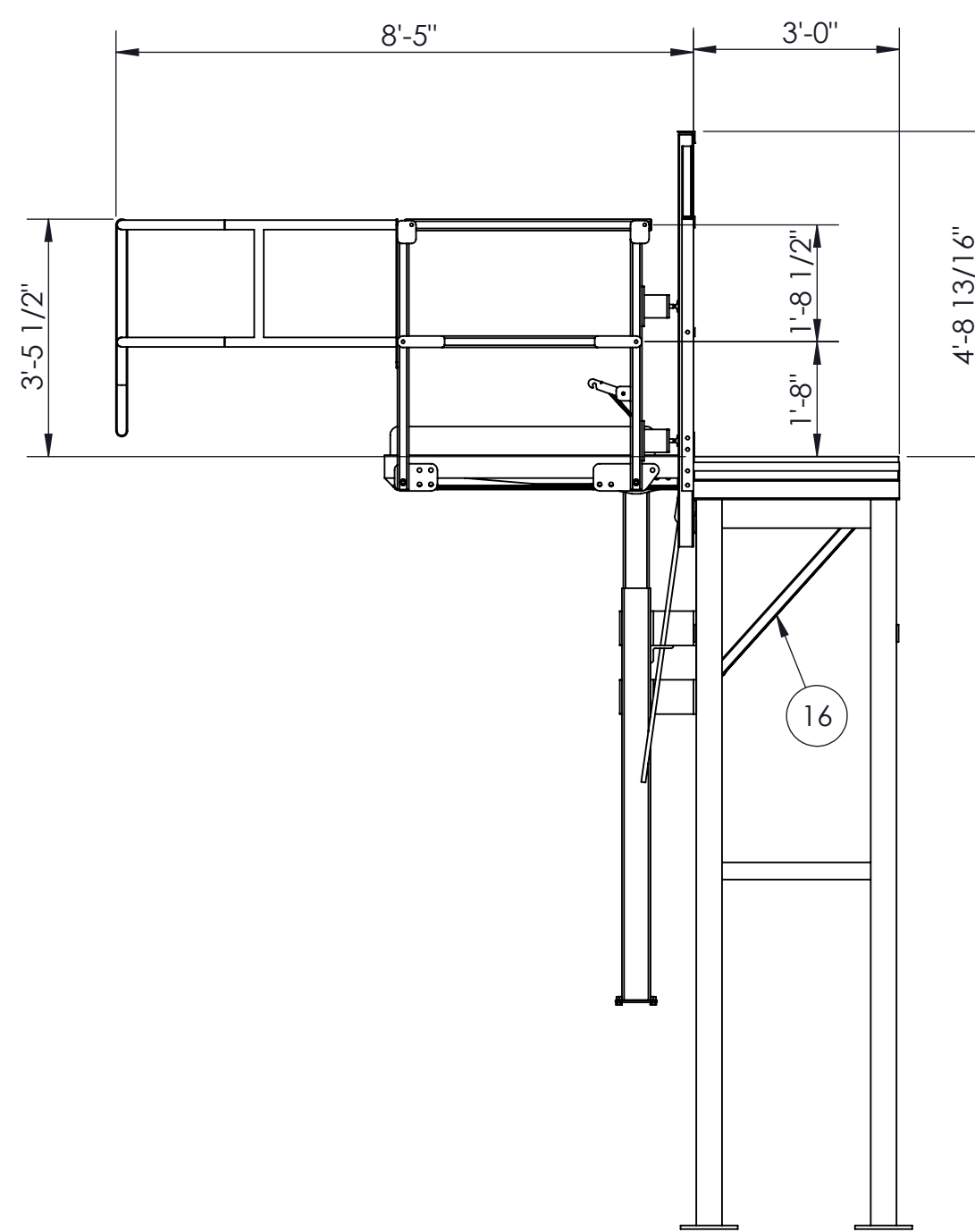


MOUNTING HOLE DETAIL

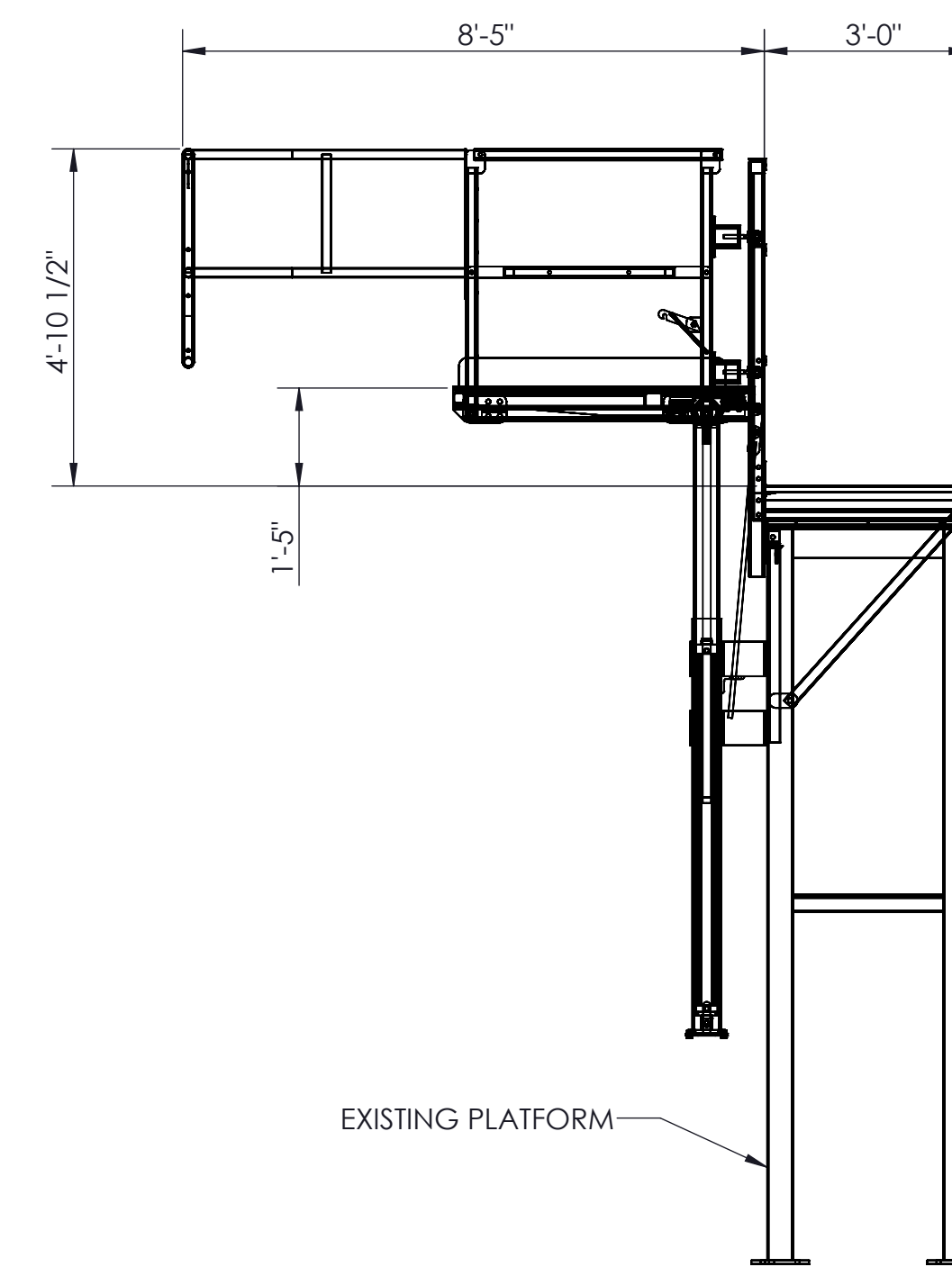
RAMP IN NORMAL POSITION



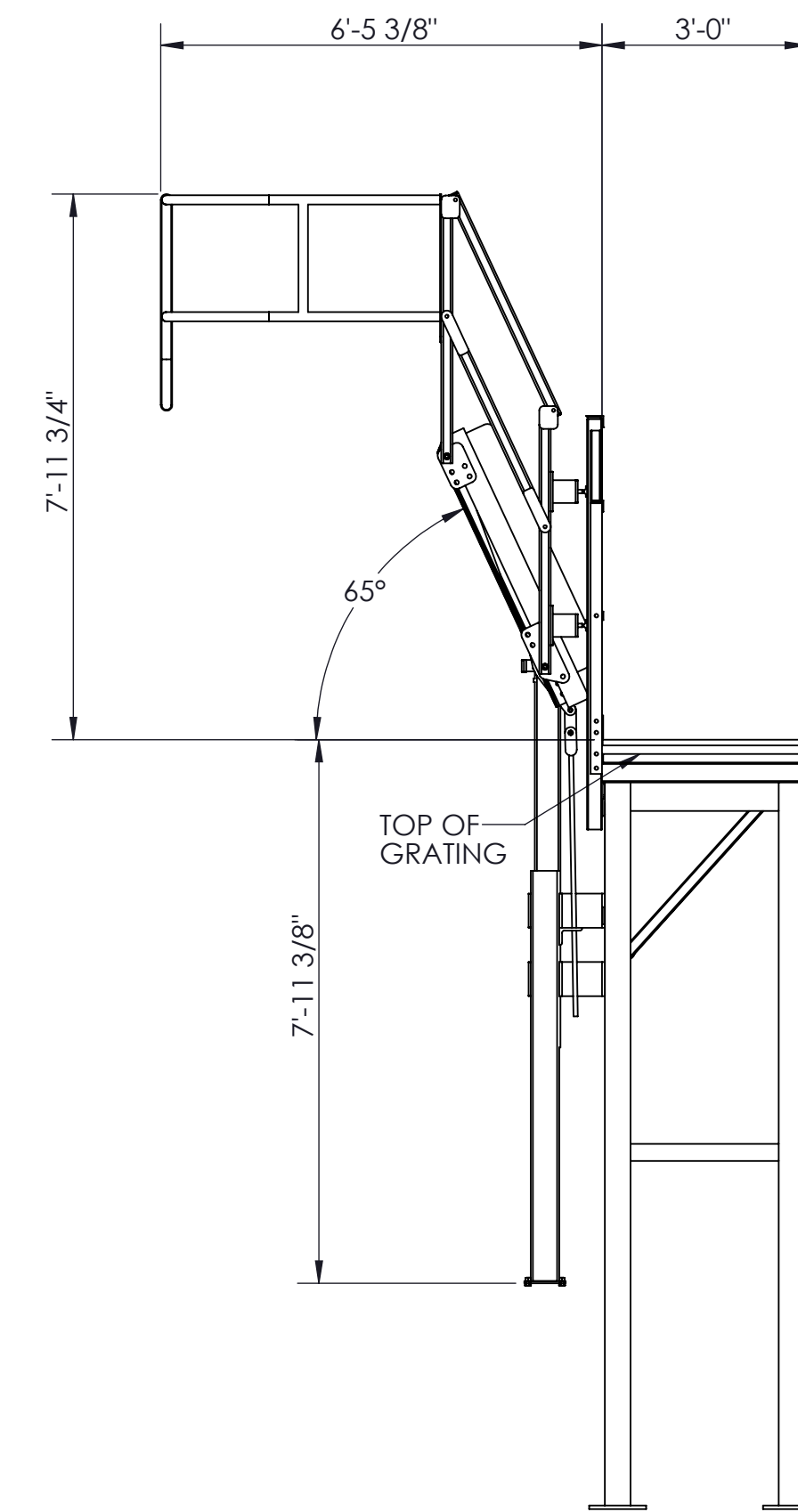
RAMP IN LOWER POSITION



RAMP IN NORMAL POSITION



RAMP IN RAISED POSITION



RAMP IN FOLDED POSITION

UNLESS OTHERWISE SPECIFIED:		NAME	DATE	 <small>2488 Kartach St. Houston, Texas 77092 (713) 881-2426 www.hemcoind.com</small>
DIMENSIONS ARE IN INCHES		DRAWN	SJD	
TOLERANCES:		CHECKED		
FRACTIONAL ±		ENG APPR:		
ANGULAR MATCH ±		MFG APPR:		
BEND ±		G.A.		
TWO PLACE DECIMAL ±				
THREE PLACE DECIMAL ±				
INTERPRET GEOMETRIC TOLERANCING PER:		PROPRIETARY AND CONFIDENTIAL THE INFORMATION CONTAINED IN THIS DRAWING IS THE SOLE PROPERTY OF HEMCO IND. ANY REPRODUCTION IN PART OR AS A WHOLE WITHOUT THE WRITTEN PERMISSION OF HEMCO IND. IS PROHIBITED.		
MATERIAL:		TITLE: HEMCO 15'-0" EHO SERIES RAMP WITH SURROUND -U- RAIL		
SEE BOM		SIZE: D DWG. NO.: 920029-00 REV:		
FINISH:		SCALE: NTS WEIGHT: 2,883 LBS SHEET 1 OF 1		
DO NOT SCALE DRAWING				

p 20029-00 AP