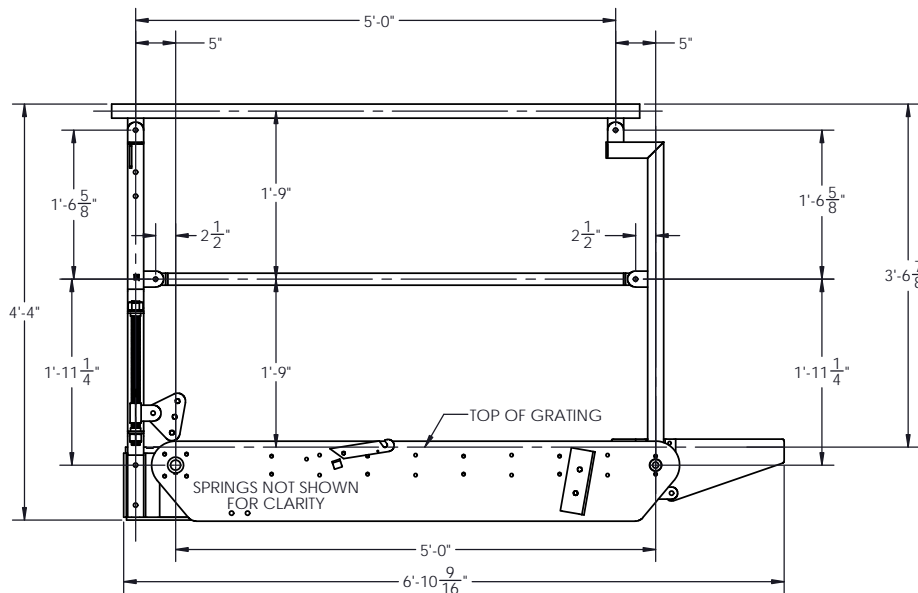
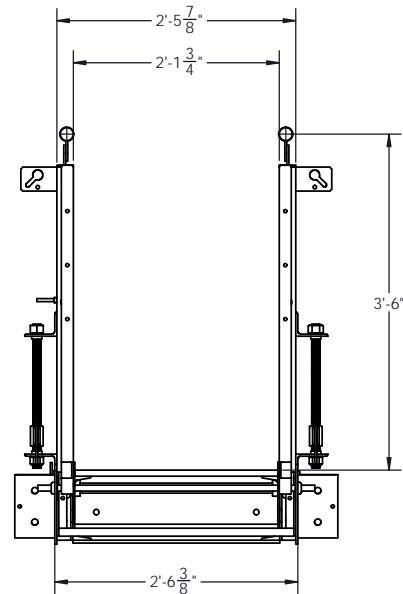


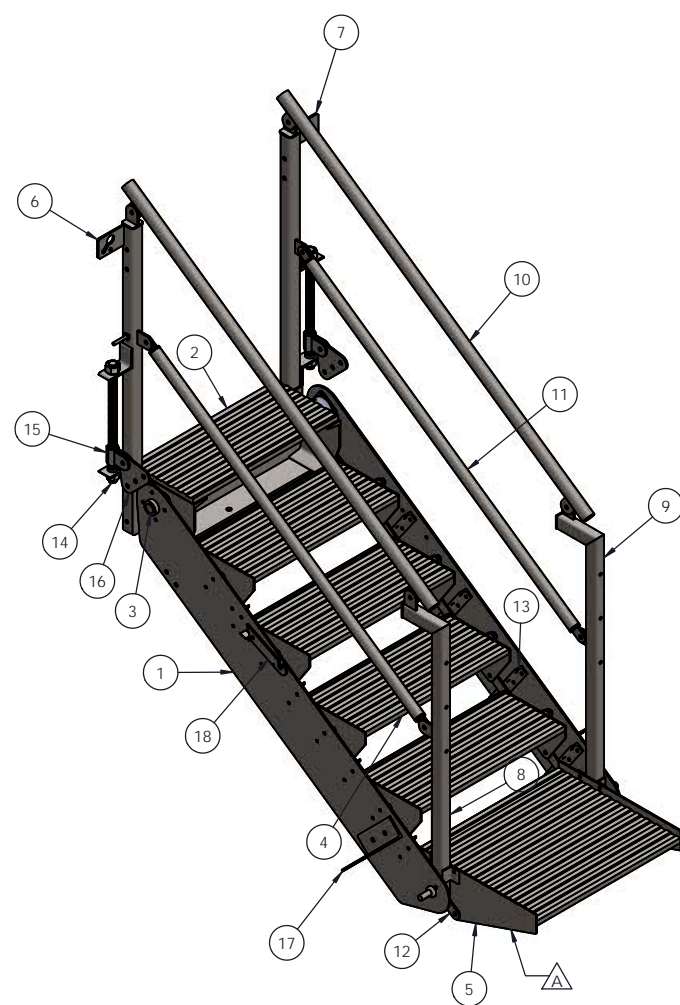
PLAN VIEW



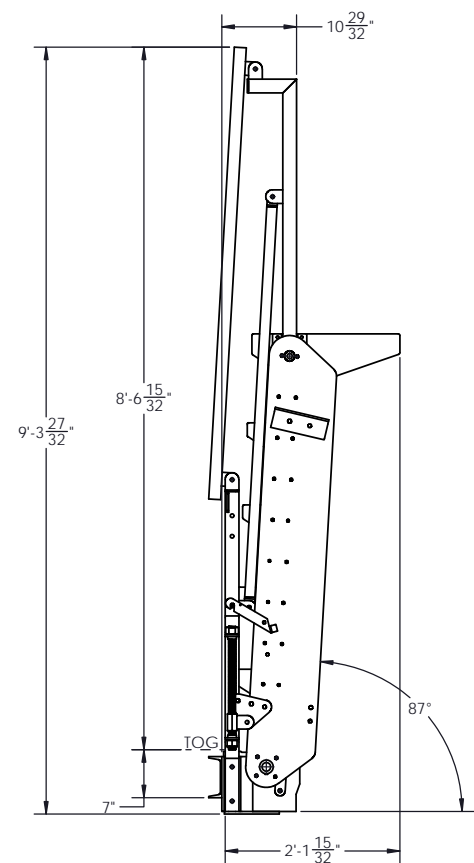
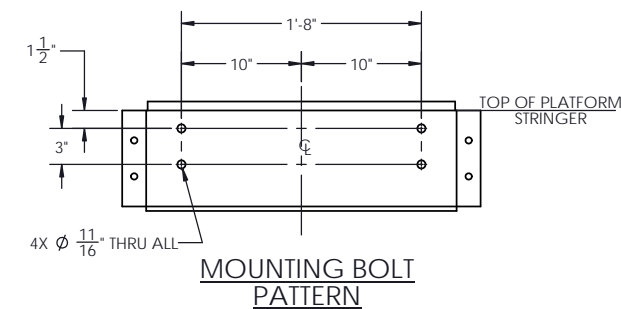
ELEVATION VIEW (HORIZONTAL VIEW)



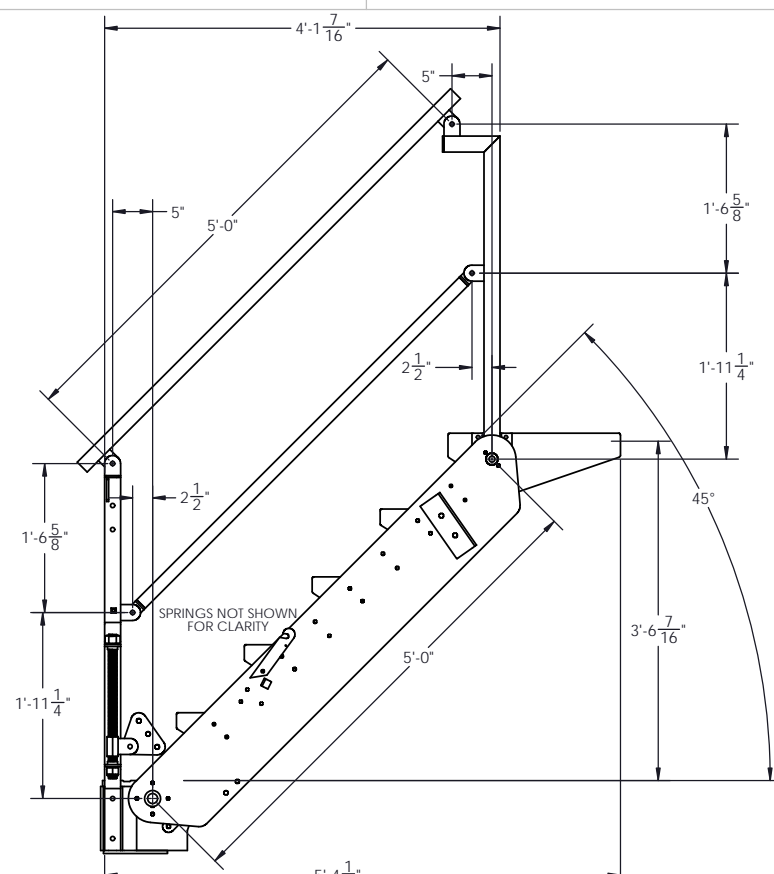
SIDE VIEW



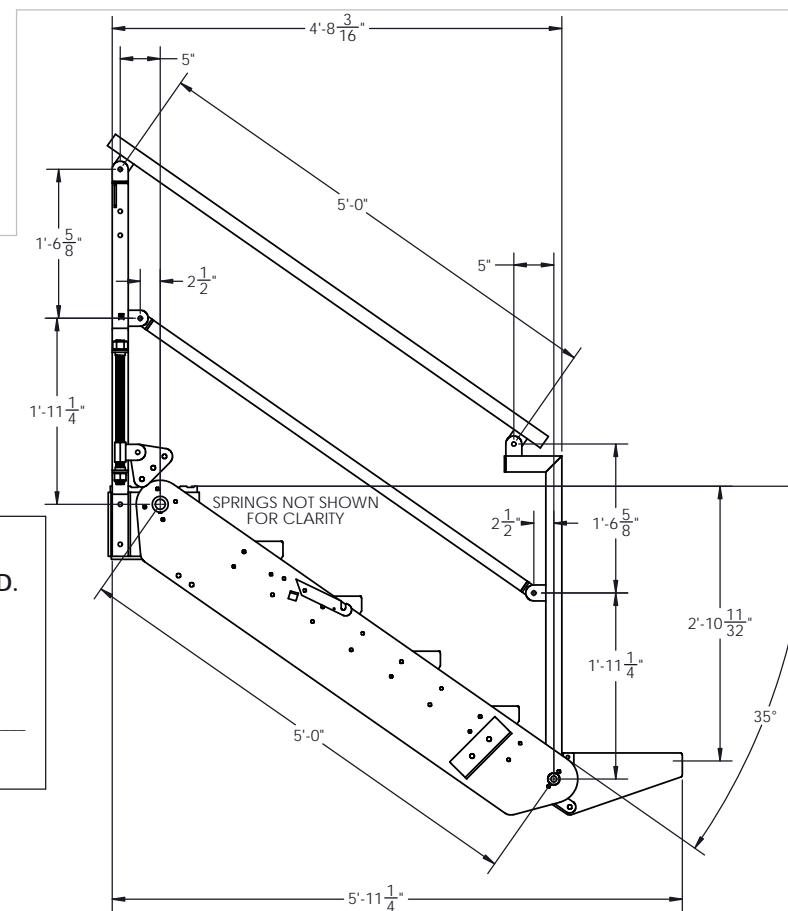
ITEM NO	PART NUMBER	DESCRIPTION	QTY	PURCHASED
1	100588	SAS-6 Stringer	2	
2	600063	Standard SAS Suspension	1	
3	600064	Standard SAS 1.25 Suspension Rod	1	
4	600065	Standard SAS Tread	4	
5	600066	Standard SAS Front Tread	1	
6	600067	SAS Rear Post-Right	1	
7	600068	SAS Rear Post-Left	1	
8	600069	SAS Front Post-Right	1	
9	600070	SAS Front Post-Left	1	
10	600079	SAS-6 Top Rail	2	
11	600080	SAS-6 Midrail	2	
12	600081	SAS-6 Linkage Bar	2	
13	600074	Standard SAS Cross Brace	4	
14	100785	Adjustment Rod	2	
15	600062	Spring Attachment	2	
16	101044	Spring Attachment Plate	2	
17	600075	SAS Spring Clip Angle	2	
18	101023	Gangway Safety Latch	1	
19	100614	Bearing, 1-1/4", 4-bolt flange	2	
20	100388	Bushing 3/4"	10	



ELEVATION VIEW (STORED POSITION)



ELEVATION VIEW (45° FROM HORIZONTAL)



ELEVATION VIEW (FOLD DOWN/LOWEST POSITION)

APPROVAL DRAWING ALL DIMENSIONS MUST BE VERIFIED.

- APPROVED
- APPROVED AS NOTED
- REVISE AND RESUBMIT

BY _____ DATE _____
AUTHORIZED REP/ BUYER

UNLESS OTHERWISE SPECIFIED:		NAME	DATE	 2488 Karbach St. Houston, Texas 77092 (713) 981-2426 www.hemcoind.com
DIMENSIONS ARE IN INCHES		AD	5/14/2014	
TOLERANCES:		CHECKED		TITLE: Hemco Self Adjusting Stair SAS-6
FRACTIONAL ±		ENG APPR		
ANGULAR MATCH ±		MFG APPR		
TWO PLACE DECIMAL ±		C.I.A.		SIZE: _____ DWG. NO.: 910079 SCALE: NTS WEIGHT: LBS SHEET 1 OF 1
THREE PLACE DECIMAL ±		PROPRIETARY AND CONFIDENTIAL		
INTERPRET GEOMETRIC TOLERANCING PER:		THE INFORMATION CONTAINED IN THIS DRAWING IS THE SOLE PROPERTY OF HEMCO IND. ANY REPRODUCTION IN PART OR AS A WHOLE WITHOUT THE WRITTEN PERMISSION OF HEMCO IND. IS PROHIBITED.		
MATERIAL: SEE BOM		DO NOT SCALE DRAWING		
REVISIONS		DATE	REV. BY	
A	CORRECTED THICKNESS OF TREAD PLATES	10/17/2014		
REV.	DESCRIPTION	DATE	REV. BY	