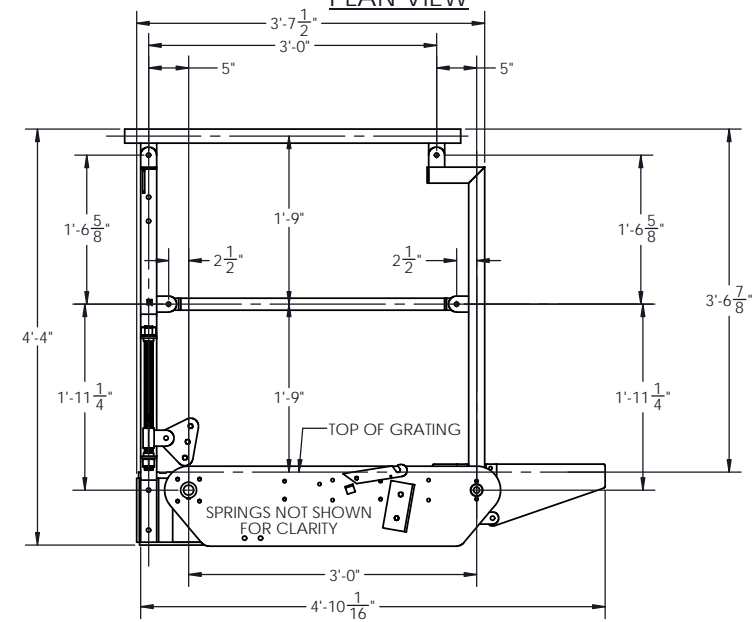
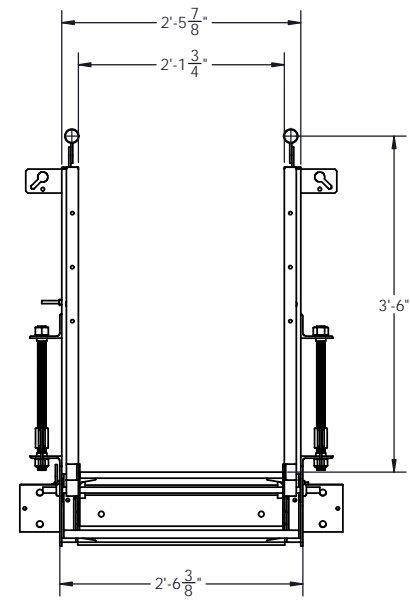


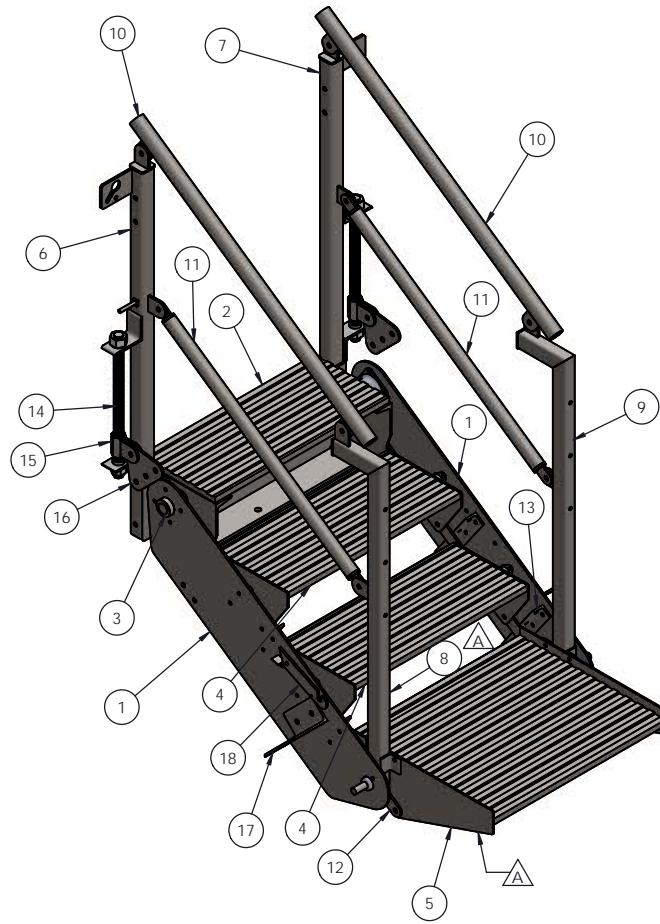
PLAN VIEW



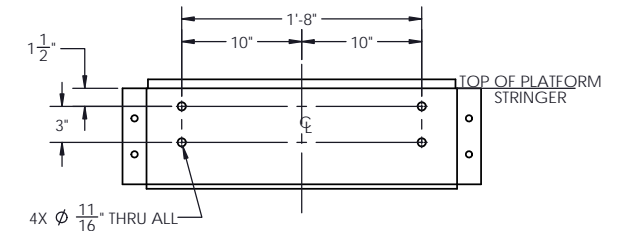
ELEVATION VIEW (HORIZONTAL VIEW)



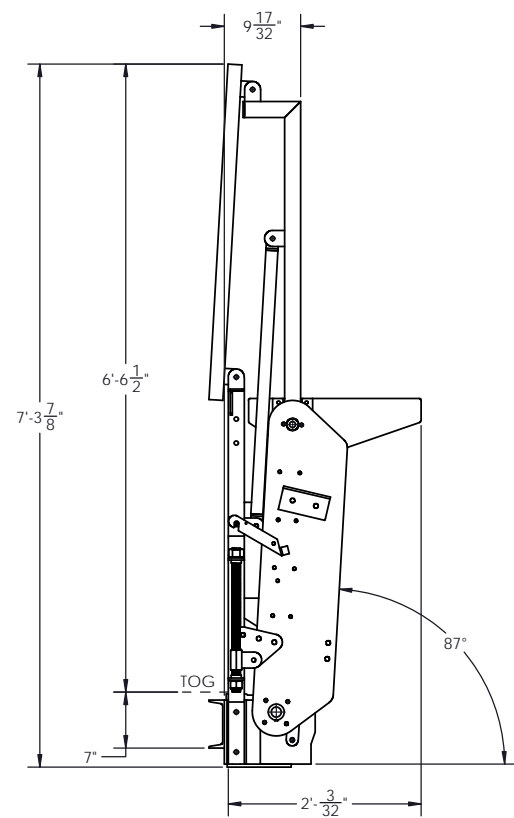
SIDE VIEW



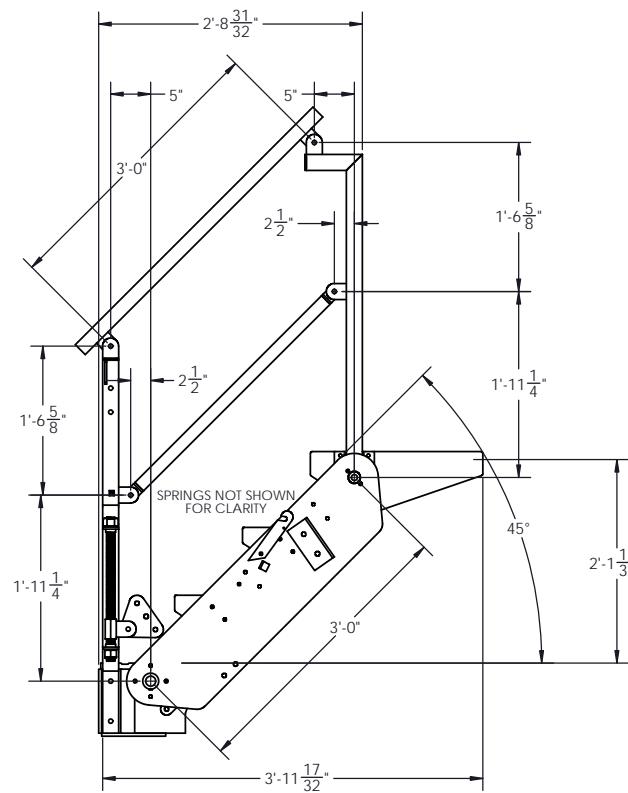
ITEM NO	PART NUMBER	DESCRIPTION	QTY	PURCHASED
1	100582	SAS-4 Stringer	2	
2	600063	Standard SAS Suspension	1	
3	600064	Standard SAS 1.25 Suspension Rod	1	
4	600065	Standard SAS Tread	2	
5	600066	Standard SAS Front Tread	1	
6	600067	SAS Rear Post-Right	1	
7	600068	SAS Rear Post-Left	1	
8	600069	SAS Front Post-Right	1	
9	600070	SAS Front Post-Left	1	
10	600071	SAS-4 Top Rail	2	
11	600072	SAS-4 Midrail	2	
12	600073	SAS-4 Linkage Bar	2	
13	600074	Standard SAS Cross Brace	2	
14	100785	Adjustment Rod	2	
15	600062	Spring Attachment	2	
16	101044	Spring Attachment Plate	2	
17	600075	SAS Spring Clip Angle	2	
18	101023	Gangway Safety Latch	1	
19	100614	Bearing, 1-1/4", 4-bolt flange	2	
20	100388	Bushing 3/4"	6	



MOUNTING BOLT PATTERN



ELEVATION VIEW (STORED POSITION)

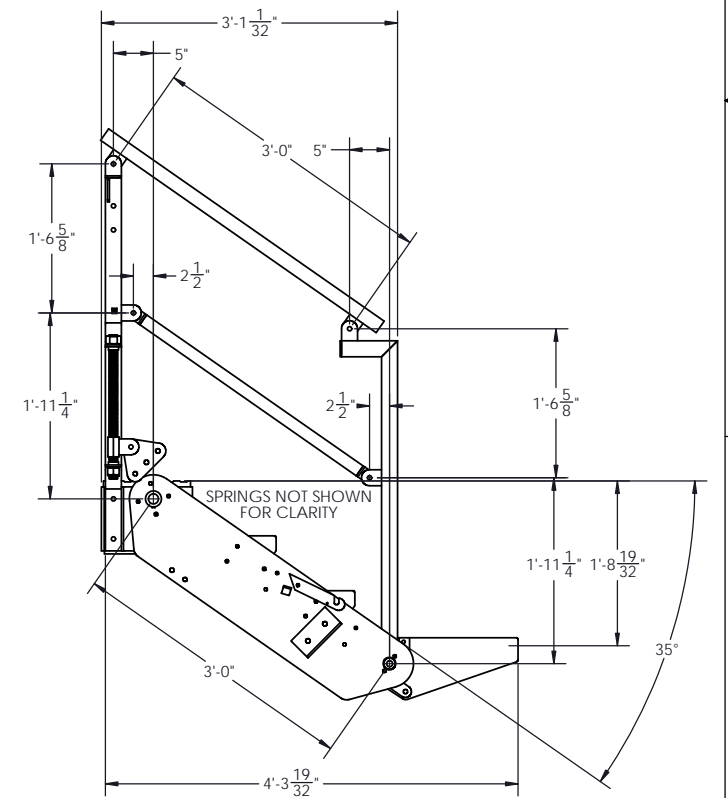


ELEVATION VIEW (45° FROM HORIZONTAL)

APPROVAL DRAWING ALL DIMENSIONS MUST BE VERIFIED.

APPROVED
 APPROVED AS NOTED
 REVISE AND RESUBMIT

BY _____ DATE _____
 AUTHORIZED REP/ BUYER



ELEVATION VIEW (FOLD DOWN/LOWEST POSITION)

UNLESS OTHERWISE SPECIFIED:		NAME	DATE	 2400 Karbach St. Houston, Texas 77002 713-981-2426 www.hemcoind.com
DIMENSIONS ARE IN INCHES		AD	5/14/2014	
TOLERANCES:		CHECKED		
FRACTIONAL ±		ENG APPR		
ANGULAR MATCH ±		MFG APPR		
TWO PLACE DECIMAL ±				
THREE PLACE DECIMAL ±				
INTERPRET GEOMETRIC TOLERANCING PER:				
MATERIAL:				
SEE BOM				
PROPRIETARY AND CONFIDENTIAL				
THE INFORMATION CONTAINED IN THIS DRAWING IS THE SOLE PROPERTY OF HEMCO IND. ANY REPRODUCTION IN PART OR AS A WHOLE WITHOUT THE WRITTEN PERMISSION OF HEMCO IND. IS PROHIBITED.				
REV. A	CORRECTED THICKNESS OF TREAD PLATES	10/17/2014	REV. BY	FRSH
REVISIONS		DATE	REV. BY	
SIZE	DWG. NO.	REV		
D	910077	A		
SCALE: NTS	WEIGHT: LBS	SHEET 1 OF 1		