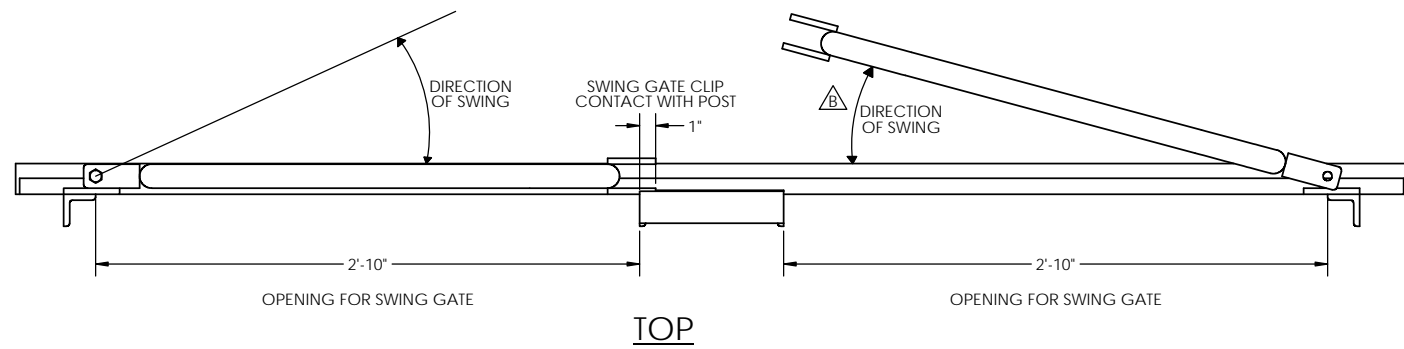


| ITEM NO. | PART NUMBER | DESCRIPTION | QTY. | PURCHASED |
|----------|-------------|--------------------------|------|-----------|
| 1 | 100472-1 | Hemco Swing Gate Bracket | 4 | |
| 2 | 100472-2 | Hemco Swing Gate | 2 | |

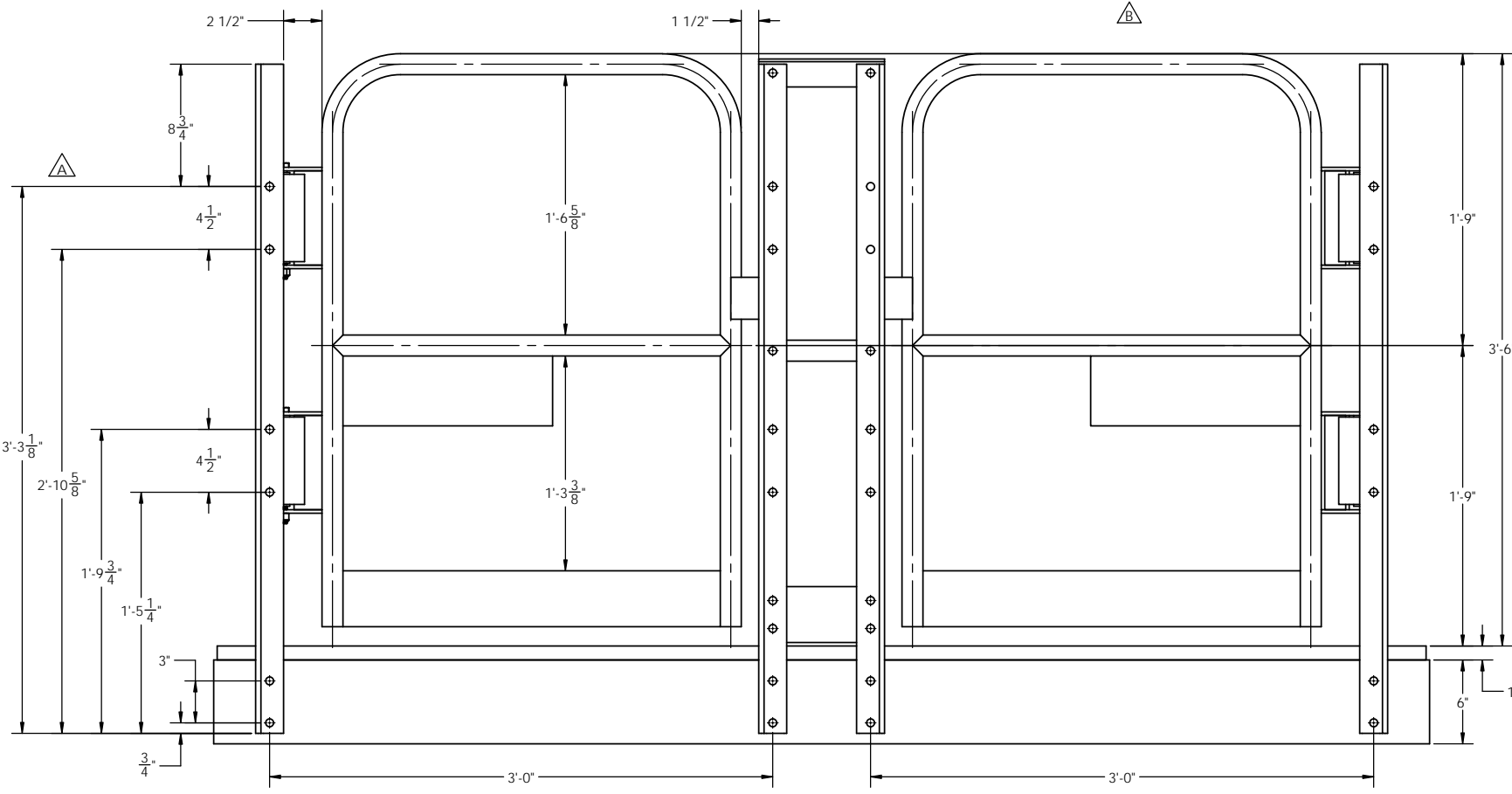
APPROVAL DRAWING ALL DIMENSIONS MUST BE VERIFIED.

APPROVED
 APPROVED AS NOTED
 REVISE AND RESUBMIT

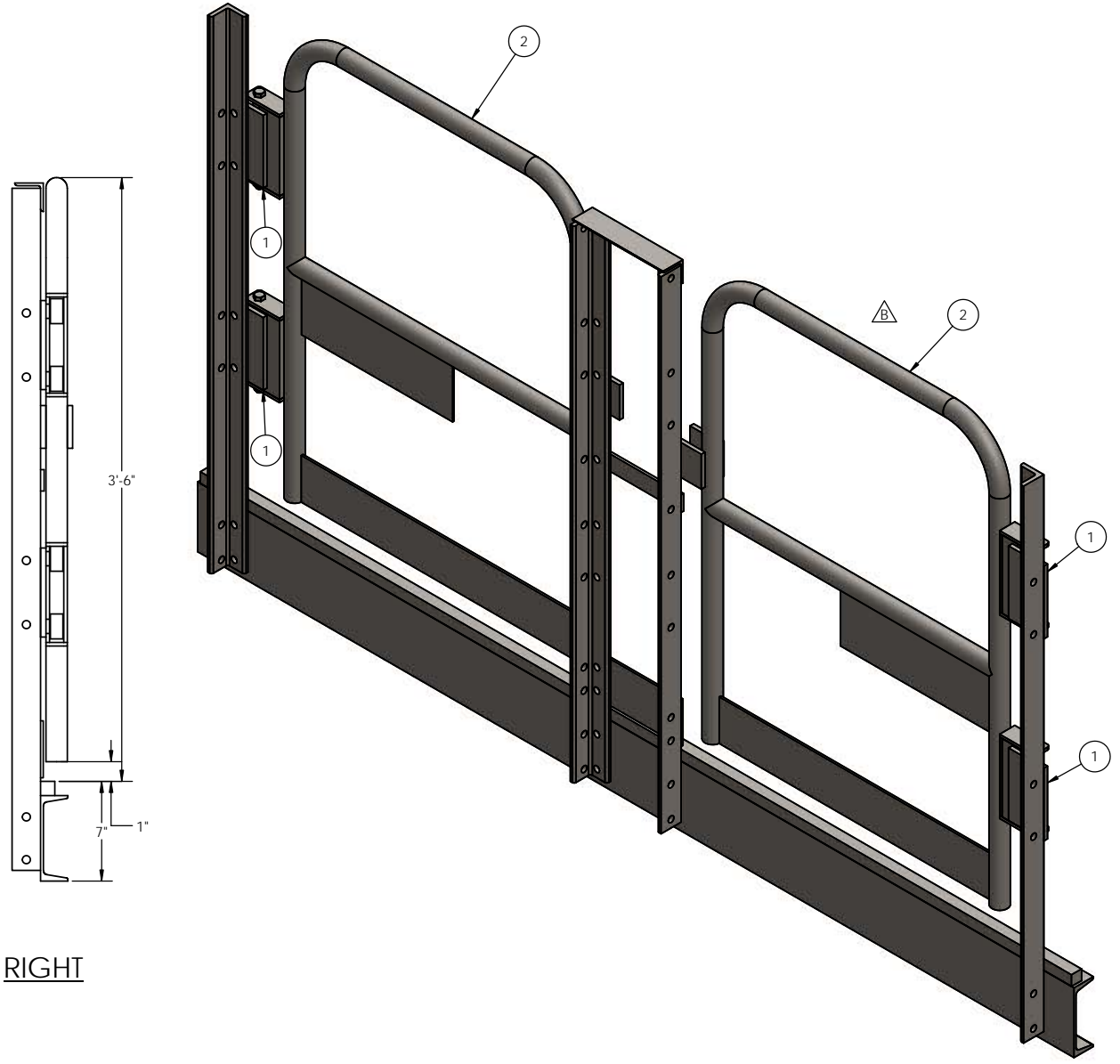
BY _____ DATE _____
 AUTHORIZED REP/ BUYER



TOP



FRONT



RIGHT

| REV. | DESCRIPTION | DATE | REV. BY |
|------|---|-----------|---------|
| B | UPDATED HINGE CONNECTION FOR UNIVERSAL SWING GATE | 9/17/2014 | |
| A | UPDATED SWING GATE POST LAYOUT | 9/17/2014 | |
| | REVISIONS | | |

| | | |
|---|--|---|
| UNLESS OTHERWISE SPECIFIED: DIMENSIONS ARE IN INCHES TOLERANCES: FRACTIONAL ± ANGULAR MATCH ± TWO PLACE DECIMAL ± THREE PLACE DECIMAL ± | NAME: AD DATE: 6/9/2014 | <p>2488 Karbach St. Houston, Texas 77092 (713) 881-2426 www.hemcoind.com</p> |
| INTERPRET GEOMETRIC TOLERANCING PER: MATRIAN MATERIAL: SEE BOM FINISH: FRSH | CHECKED: [] ENG APPR: [] MFG APPR: [] Q.A. [] | |
| PROPRIETARY AND CONFIDENTIAL THE INFORMATION CONTAINED IN THIS DRAWING IS THE SOLE PROPERTY OF HEMCO IND. ANY REPRODUCTION IN PART OR AS A WHOLE WITHOUT THE WRITTEN PERMISSION OF HEMCO IND. IS PROHIBITED. | | TITLE: Hemco Swing Gate SIZE: D DWG. NO.: 100472 SCALE: NTS WEIGHT: LBS SHEET 1 OF 2 |